



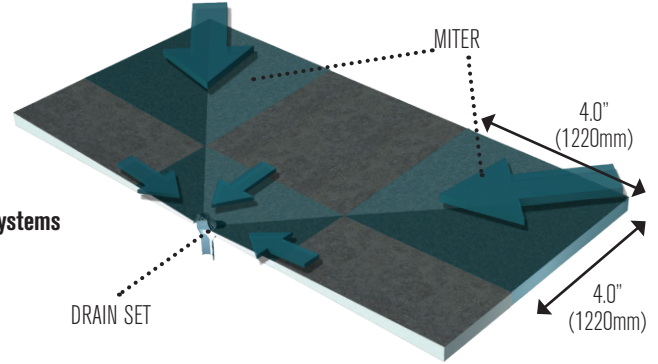
Gemini™ MTR

Pre-Cut Miter

DESCRIPTION: Gemini™ Pre-Cut Miters (MTR) are produced with a closed-cell polyisocyanurate (polyiso) foam core integrally bonded to non-asphaltic, glass fiber reinforced organic felt or inorganic coated-glass facers.

Dimensionally stable Gemini™ MTR provide a 4'x4' (1220mm x 1220mm) pre-fabricated tapered valley or hip solution.

- Available with ACFoam®-II, ACFoam®-III and Facer Technology
- One-Piece Pre-Fabricated Tapered Panel
- Manufactured in a Variety of Slopes and Thicknesses
- Compatible with Standard Tapered Panels
- Used in Built-Up (BUR), Modified Bitumen, Ballasted Single-Ply, Mechanically Attached Single-Ply and Adhered Single-Ply Roofing Systems

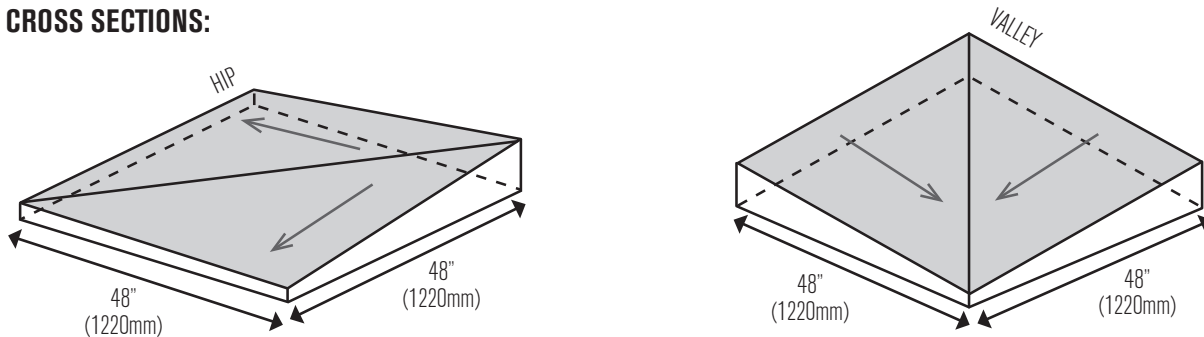


THERMAL DATA & DIMENSIONS

PANEL	THICKNESS			1AVERAGE LTR VALUE	2RSI	PRODUCT DIMENSIONS	
	minimum	maximum	average			width	length
AA	0.5" (12.7mm)	1.0" (25.4mm)	0.75" (19.05mm)	4.3	0.76	4' (1220mm)	4' (1220mm)
A	1.0" (25.4mm)	1.5" (38.1mm)	1.25" (31.75mm)	7.1	1.25	4' (1220mm)	4' (1220mm)
B	1.5" (38.1mm)	2.0" (50.8mm)	1.75" (44.45mm)	10.0	1.76	4' (1220mm)	4' (1220mm)
C	2.0" (50.8mm)	2.5" (63.5mm)	2.25" (57.15mm)	12.9	2.27	4' (1220mm)	4' (1220mm)
X	0.5" (12.7mm)	1.5" (38.1mm)	1.00" (25.4mm)	5.7	1.00	4' (1220mm)	4' (1220mm)
Y	1.5" (38.1mm)	2.5" (63.5mm)	2.00" (50.8mm)	11.4	2.01	4' (1220mm)	4' (1220mm)
Q	0.5" (12.7mm)	2.5" (63.5mm)	1.50" (38.1mm)	8.6	1.50	4' (1220mm)	4' (1220mm)

¹LTR (long term thermal resistance) values were determined in accordance with CAN/ULC-S770-09. Test samples were third-party selected and tested by an accredited material testing laboratory. The LTR results were reviewed by FM Global and certified by the PIMA Quality Mark Program. ²RSI is the metric expression of R-value (m² • K/W).

TYPICAL CROSS SECTIONS:



Other than the aforementioned representations and descriptions, Atlas Roofing Corporation (hereafter, "Seller") makes no other representations or warranties as to the insulation sold herein. The Seller disclaims all other warranties, express or implied, including the warranty of merchantability and the warranty of fitness for a particular purpose. Seller does, however, have a limited warranty as to the LTR-Value of the insulation, the terms of which are available upon request from the Seller. Seller shall not be liable for any incidental or consequential damages including but not limited to the cost of installation, removal, repair or replacement of this product. Buyer's remedies shall be limited exclusively to, at Seller's option, the repayment of the purchase price or resupply of product manufactured by Atlas in a quantity equal to that of the nonconforming product. Atlas distributors, agents, salespersons or other independent representatives have no authority to waive or alter the above limitation of liability and remedies.