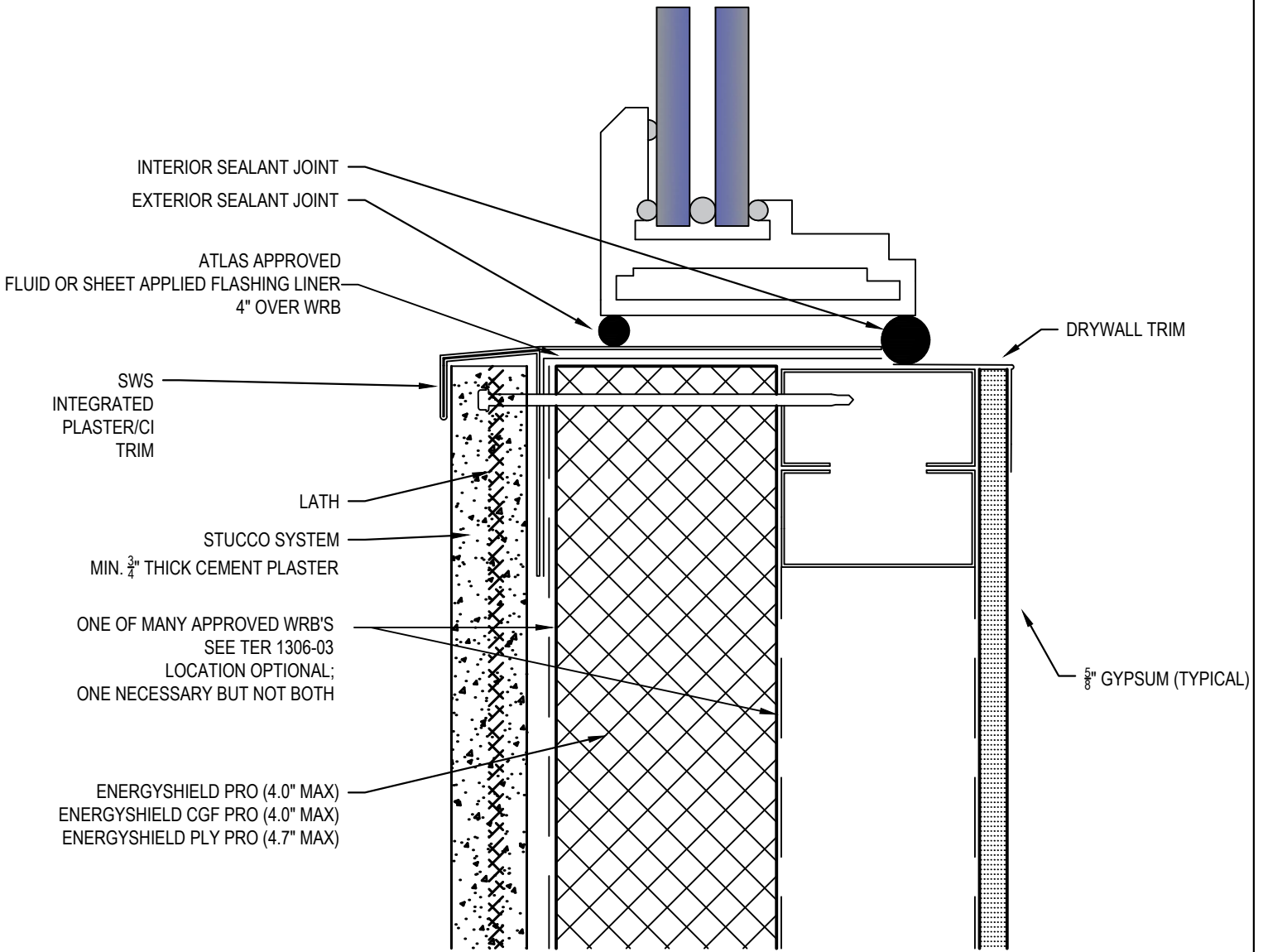


NFPA 285 DETAIL NOTES:

ALL DETAILS TO BE REVIEWED BY A DESIGN PROFESSIONAL PRIOR TO USE.
 DETAIL IS INTENDED TO PROVIDE NFPA 285 GUIDANCE FOR INSULATION INSTALLATION
 AND WINDOW DETAIL ONLY.
 REFER TO TER 1306-03 FOR A LIST OF ACCEPTABLE NFPA 285 COMPLIANT COMPONENTS.
 FLASH WINDOW & DOOR OPENINGS PER WRB MANUFACTURER'S GUIDELINES.



ENERGYSHIELD PRO WINDOW STUCCO



SILL DETAIL

For Reference Only

DATE / REVISION

09/20/18

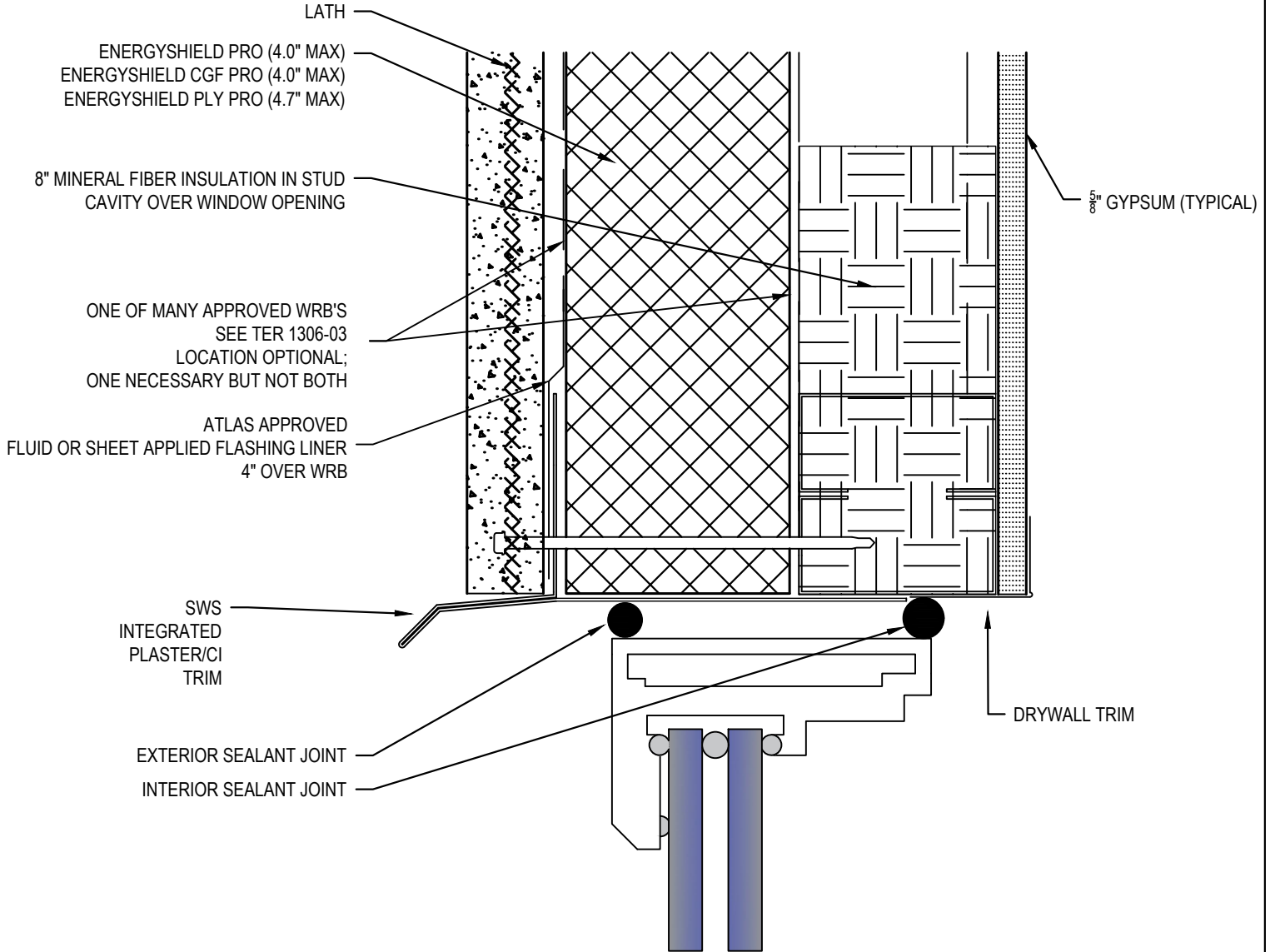
NOT TO SCALE

DETAIL NO.

ES.S.B.01

NFPA 285 DETAIL NOTES:

ALL DETAILS TO BE REVIEWED BY A DESIGN PROFESSIONAL PRIOR TO USE.
 DETAIL IS INTENDED TO PROVIDE NFPA 285 GUIDANCE FOR INSULATION INSTALLATION
 AND WINDOW DETAIL ONLY.
 REFER TO TER 1306-03 FOR A LIST OF ACCEPTABLE NFPA 285 COMPLIANT COMPONENTS.
 FLASH WINDOW & DOOR OPENINGS PER WRB MANUFACTURER'S GUIDELINES.



ENERGYSHIELD PRO WINDOW STUCCO



HEAD DETAILS

For Reference Only

DATE / REVISION

09/20/18

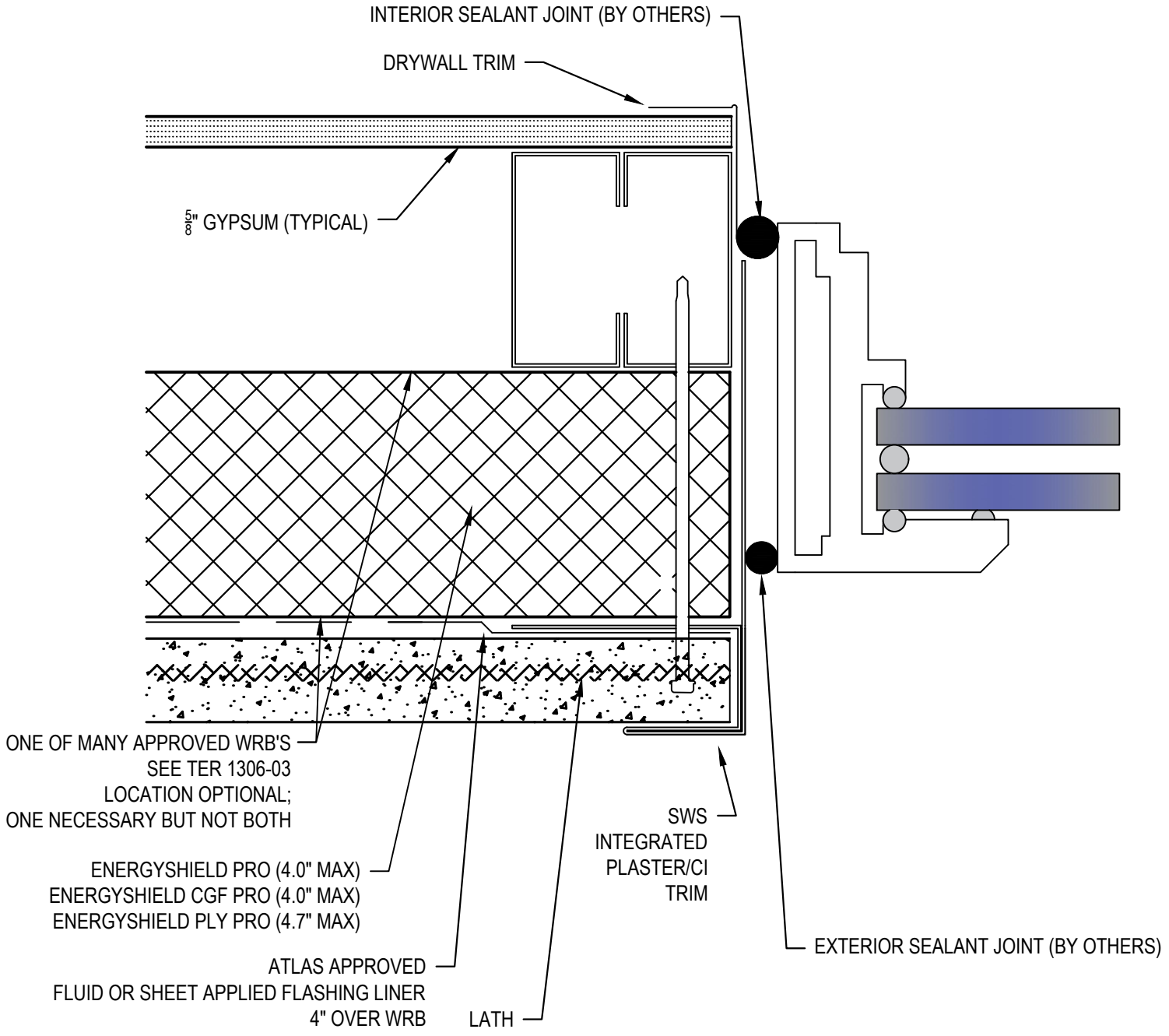
NOT TO SCALE

DETAIL NO.

ES.S.B.02

NFPA 285 DETAIL NOTES:

ALL DETAILS TO BE REVIEWED BY A DESIGN PROFESSIONAL PRIOR TO USE.
 DETAIL IS INTENDED TO PROVIDE NFPA 285 GUIDANCE FOR INSULATION INSTALLATION
 AND WINDOW DETAIL ONLY.
 REFER TO TER 1306-03 FOR A LIST OF ACCEPTABLE NFPA 285 COMPLIANT COMPONENTS.
 FLASH WINDOW & DOOR OPENINGS PER WRB MANUFACTURER'S GUIDELINES.



ENERGYSHIELD PRO WINDOW STUCCO



JAMB DETAILS

For Reference Only

DATE / REVISION

09/20/18

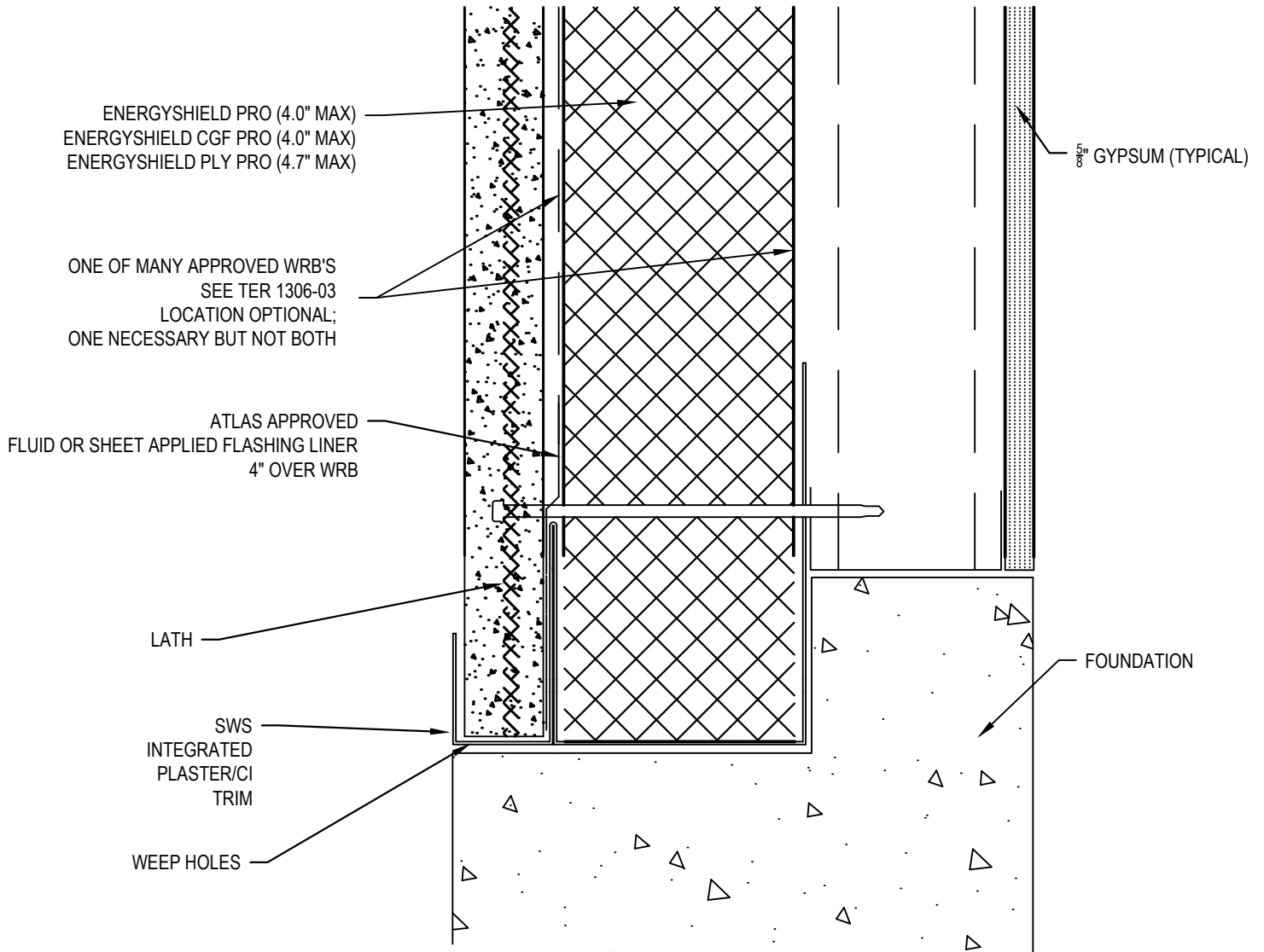
NOT TO SCALE

DETAIL NO.

ES.S.B.03

NFPA 285 DETAIL NOTES:

ALL DETAILS TO BE REVIEWED BY A DESIGN PROFESSIONAL PRIOR TO USE.
 DETAIL IS INTENDED TO PROVIDE NFPA 285 GUIDANCE FOR INSULATION INSTALLATION
 AND WINDOW DETAIL ONLY.
 REFER TO TER 1306-03 FOR A LIST OF ACCEPTABLE NFPA 285 COMPLIANT COMPONENTS.
 FLASH WINDOW & DOOR OPENINGS PER WRB MANUFACTURER'S GUIDELINES.



ENERGYSHIELD PRO WINDOW STUCCO



WEEP DETAILS

For Reference Only

DATE / REVISION

09/20/18

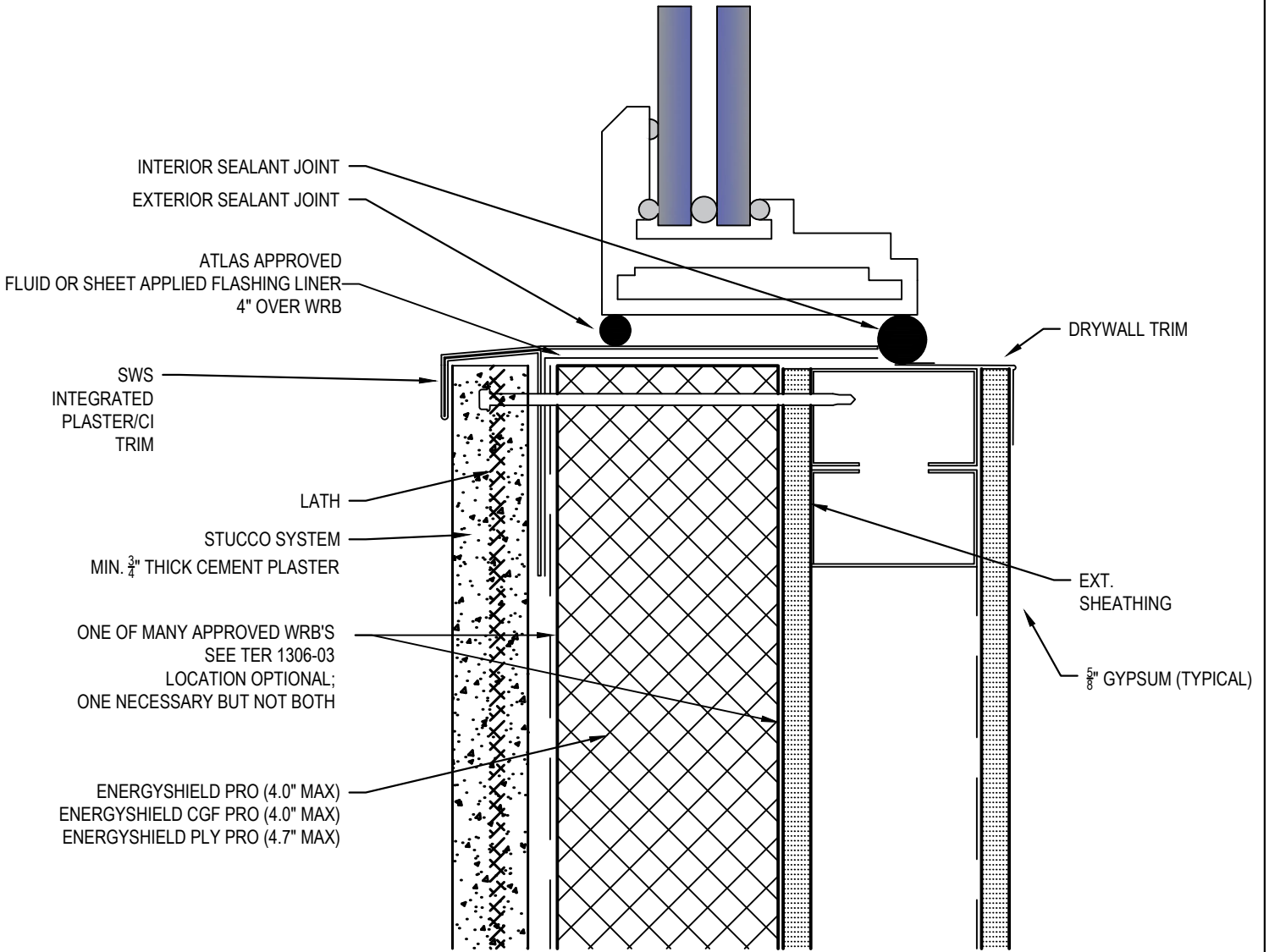
NOT TO SCALE

DETAIL NO.

ES.S.B.04

NFPA 285 DETAIL NOTES:

ALL DETAILS TO BE REVIEWED BY A DESIGN PROFESSIONAL PRIOR TO USE.
 DETAIL IS INTENDED TO PROVIDE NFPA 285 GUIDANCE FOR INSULATION INSTALLATION
 AND WINDOW DETAIL ONLY.
 REFER TO TER 1306-03 FOR A LIST OF ACCEPTABLE NFPA 285 COMPLIANT COMPONENTS.
 FLASH WINDOW & DOOR OPENINGS PER WRB MANUFACTURER'S GUIDELINES.



ENERGYSHIELD PRO WINDOW STUCCO



SILL DETAIL GYPSUM

For Reference Only

DATE / REVISION

09/20/18

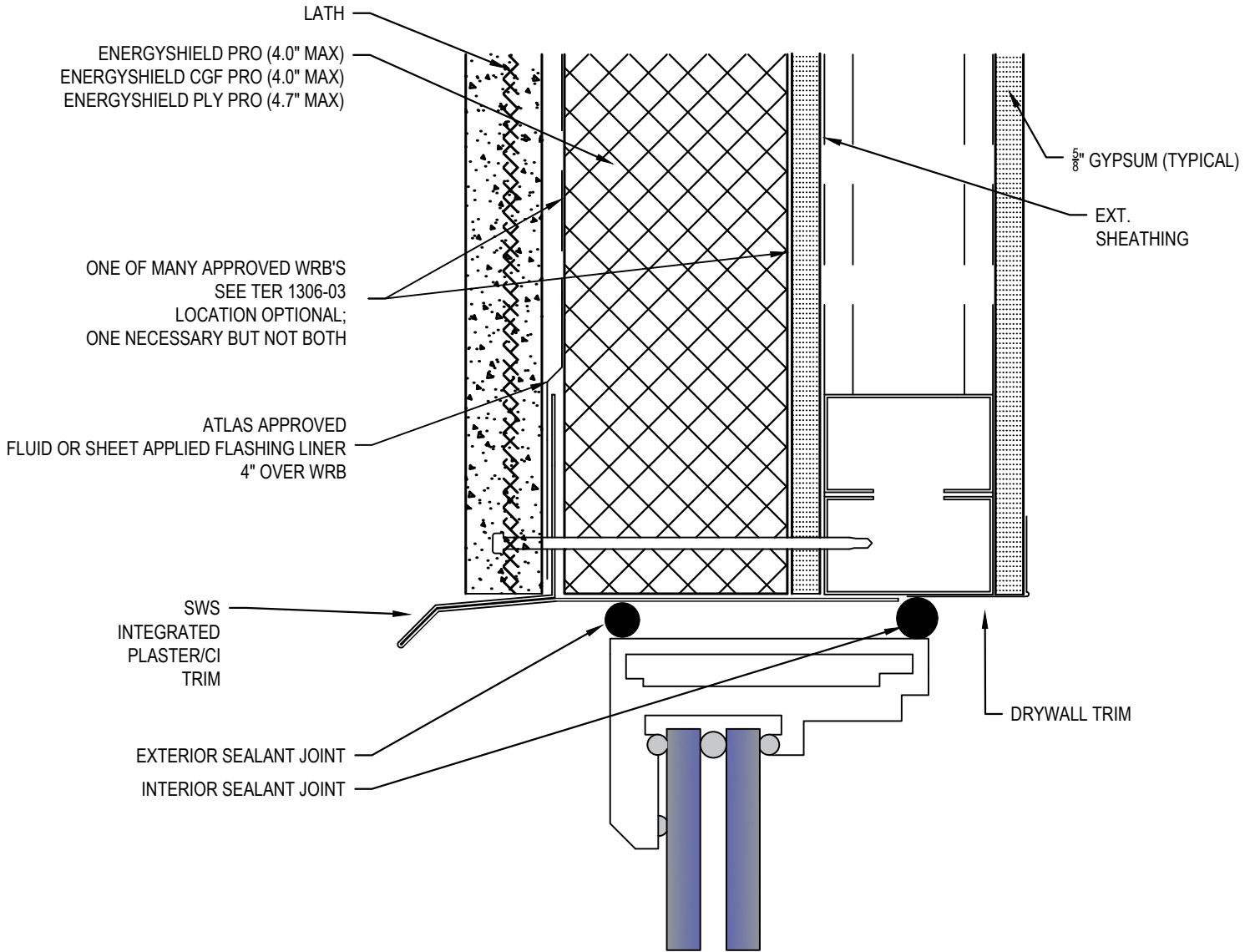
NOT TO SCALE

DETAIL NO.

ES.S.B.05

NFPA 285 DETAIL NOTES:

ALL DETAILS TO BE REVIEWED BY A DESIGN PROFESSIONAL PRIOR TO USE.
 DETAIL IS INTENDED TO PROVIDE NFPA 285 GUIDANCE FOR INSULATION INSTALLATION
 AND WINDOW DETAIL ONLY.
 REFER TO TER 1306-03 FOR A LIST OF ACCEPTABLE NFPA 285 COMPLIANT COMPONENTS.
 FLASH WINDOW & DOOR OPENINGS PER WRB MANUFACTURER'S GUIDELINES.



ENERGYSHIELD PRO WINDOW STUCCO



HEAD DETAILS GYPSUM

For Reference Only

DATE / REVISION

09/20/18

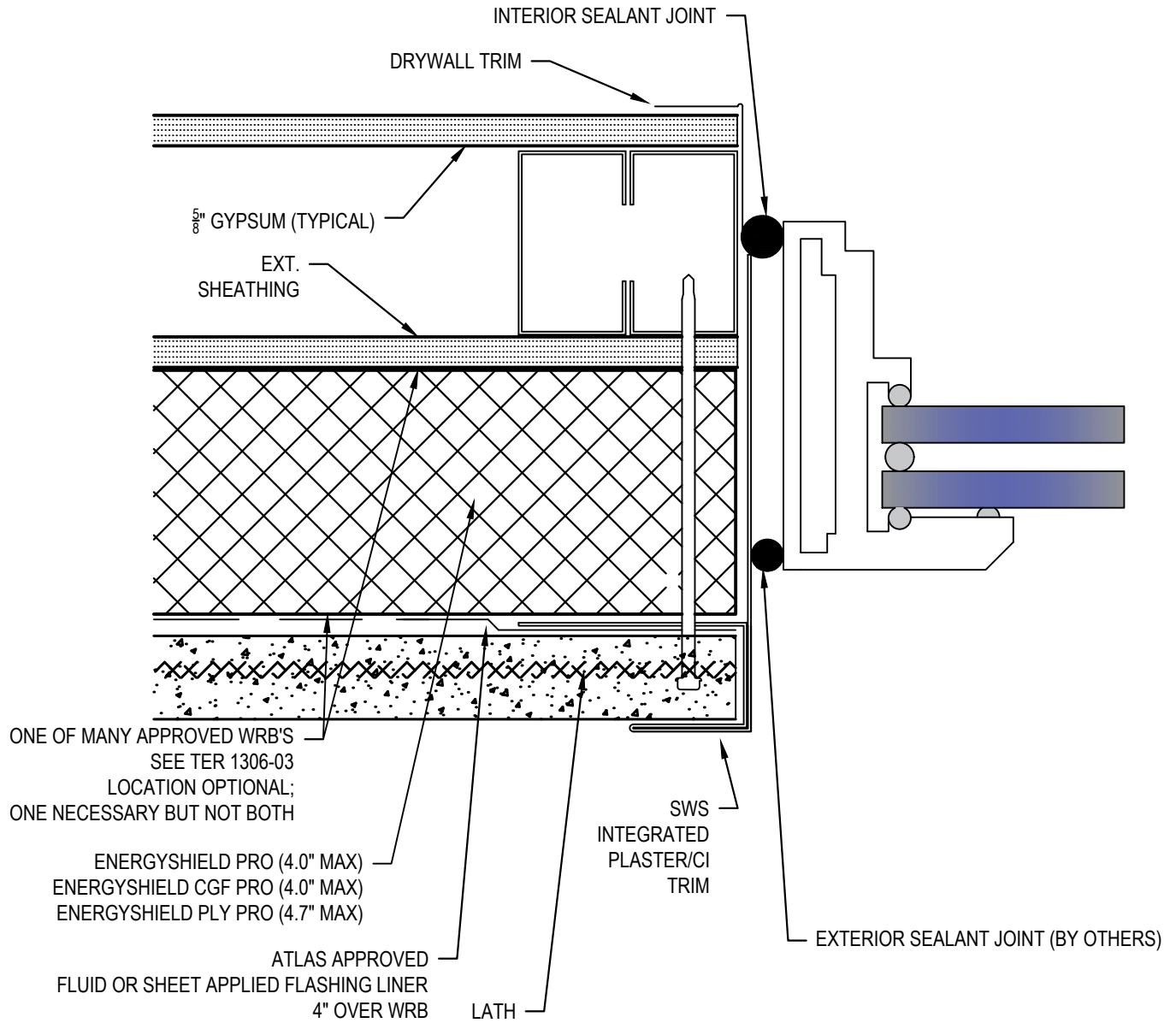
NOT TO SCALE

DETAIL NO.

ES.S.B.06

NFPA 285 DETAIL NOTES:

ALL DETAILS TO BE REVIEWED BY A DESIGN PROFESSIONAL PRIOR TO USE.
 DETAIL IS INTENDED TO PROVIDE NFPA 285 GUIDANCE FOR INSULATION INSTALLATION
 AND WINDOW DETAIL ONLY.
 REFER TO TER 1306-03 FOR A LIST OF ACCEPTABLE NFPA 285 COMPLIANT COMPONENTS.
 FLASH WINDOW & DOOR OPENINGS PER WRB MANUFACTURER'S GUIDELINES.



ENERGYSHIELD PRO WINDOW STUCCO

JAMB DETAILS GYPSUM

For Reference Only

DATE / REVISION

09/20/18

NOT TO SCALE

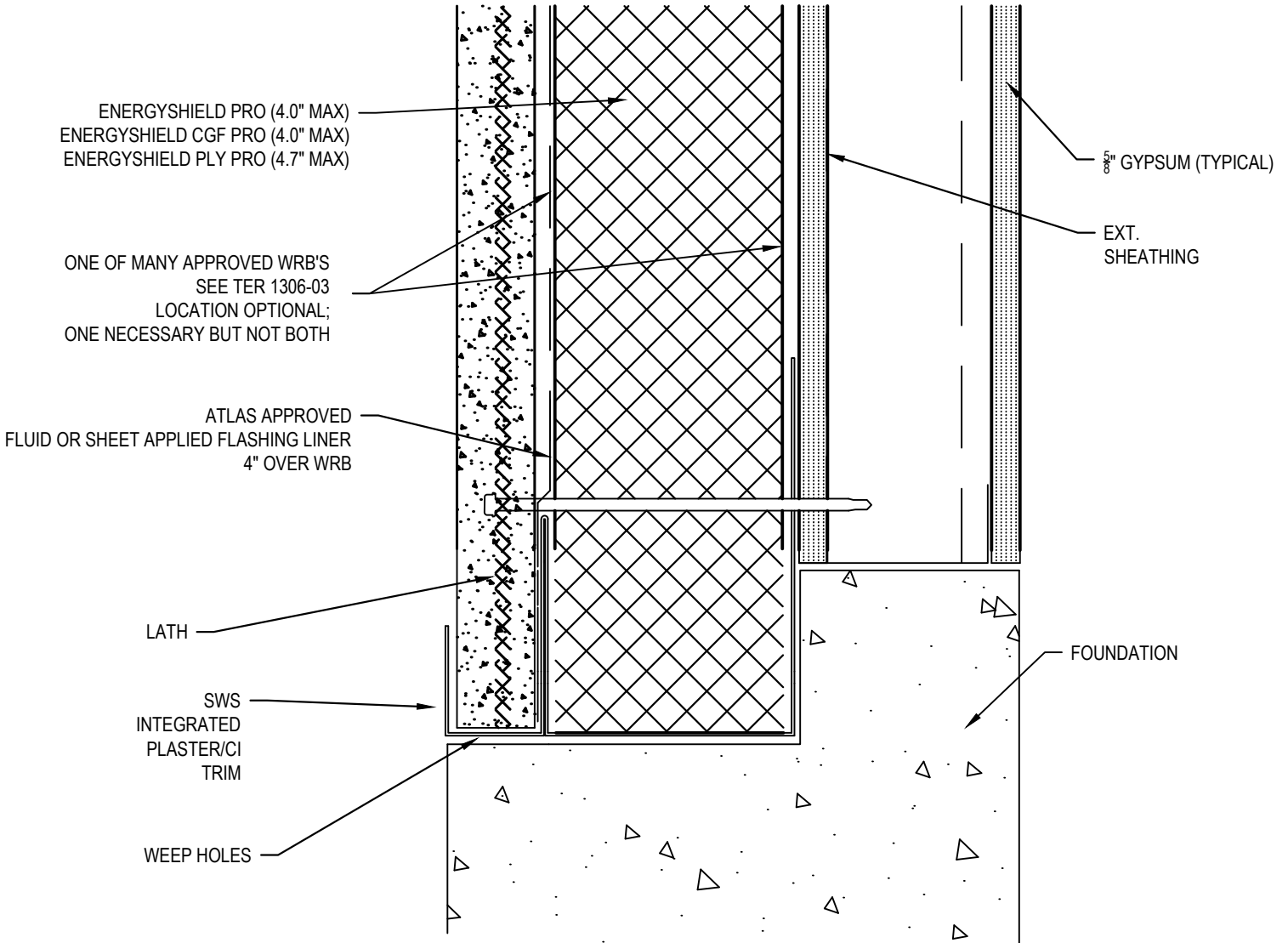
DETAIL NO.

ES.S.B.07



NFPA 285 DETAIL NOTES:

ALL DETAILS TO BE REVIEWED BY A DESIGN PROFESSIONAL PRIOR TO USE.
 DETAIL IS INTENDED TO PROVIDE NFPA 285 GUIDANCE FOR INSULATION INSTALLATION
 AND WINDOW DETAIL ONLY.
 REFER TO TER 1306-03 FOR A LIST OF ACCEPTABLE NFPA 285 COMPLIANT COMPONENTS.
 FLASH WINDOW & DOOR OPENINGS PER WRB MANUFACTURER'S GUIDELINES.



ENERGYSHIELD PRO WINDOW STUCCO

WEEP DETAILS GYPSUM

For Reference Only

DATE / REVISION

09/20/18

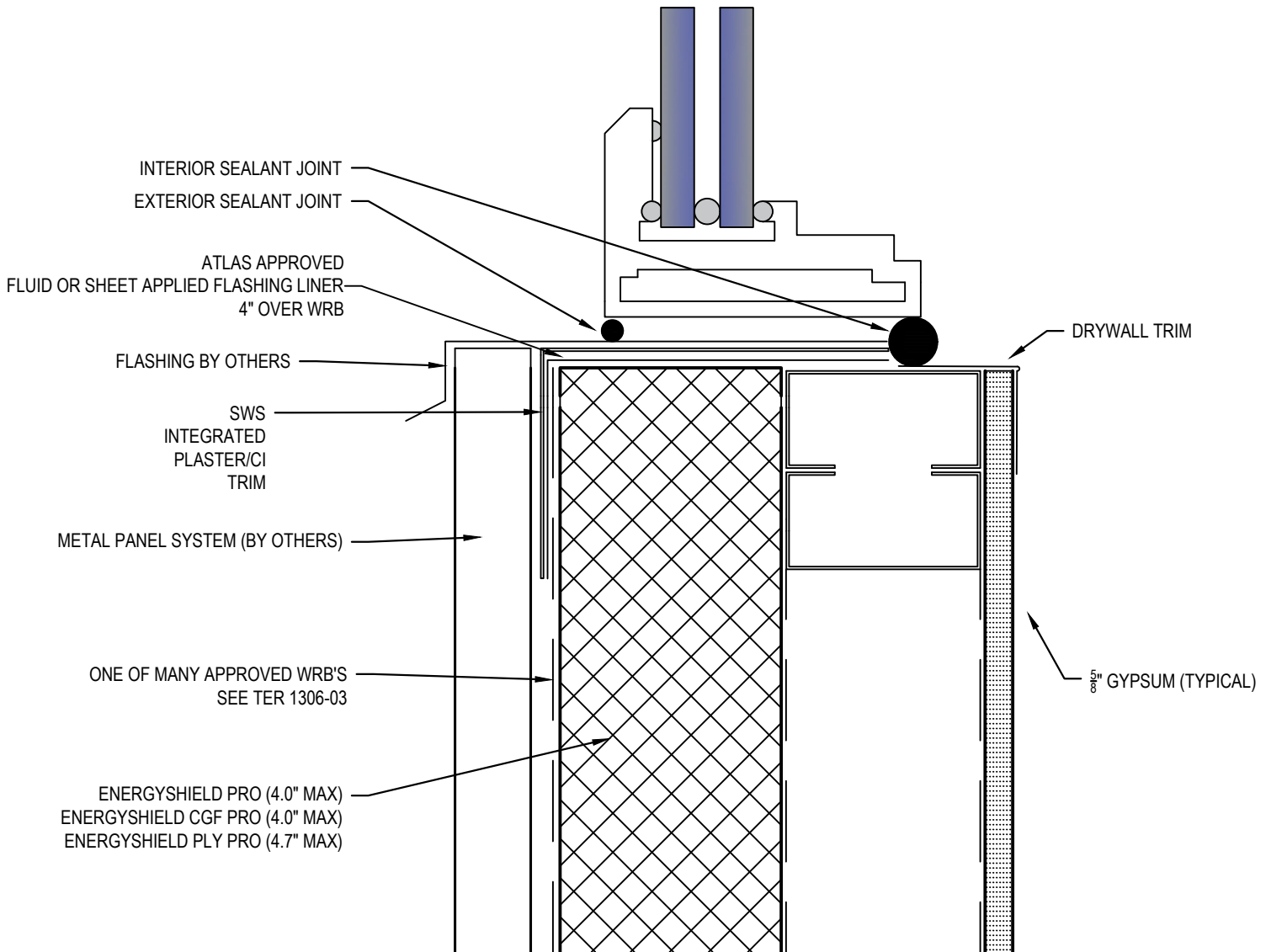
NOT TO SCALE

DETAIL NO.

ES.S.B.08

NFPA 285 DETAIL NOTES:

ALL DETAILS TO BE REVIEWED BY A DESIGN PROFESSIONAL PRIOR TO USE.
 DETAIL IS INTENDED TO PROVIDE NFPA 285 GUIDANCE FOR INSULATION INSTALLATION
 AND WINDOW DETAIL ONLY.
 REFER TO TER 1306-03 FOR A LIST OF ACCEPTABLE NFPA 285 COMPLIANT COMPONENTS.
 FLASH WINDOW & DOOR OPENINGS PER WRB MANUFACTURER'S GUIDELINES.



NOTE: WHEN ACM'S ARE USED, A MAXIMUM 2.25" AIR GAP BEHIND CLADDING IS APPROVED.



ENERGYSHIELD PRO WINDOW SMP

SILL DETAIL

For Reference Only

DATE / REVISION

09/20/18

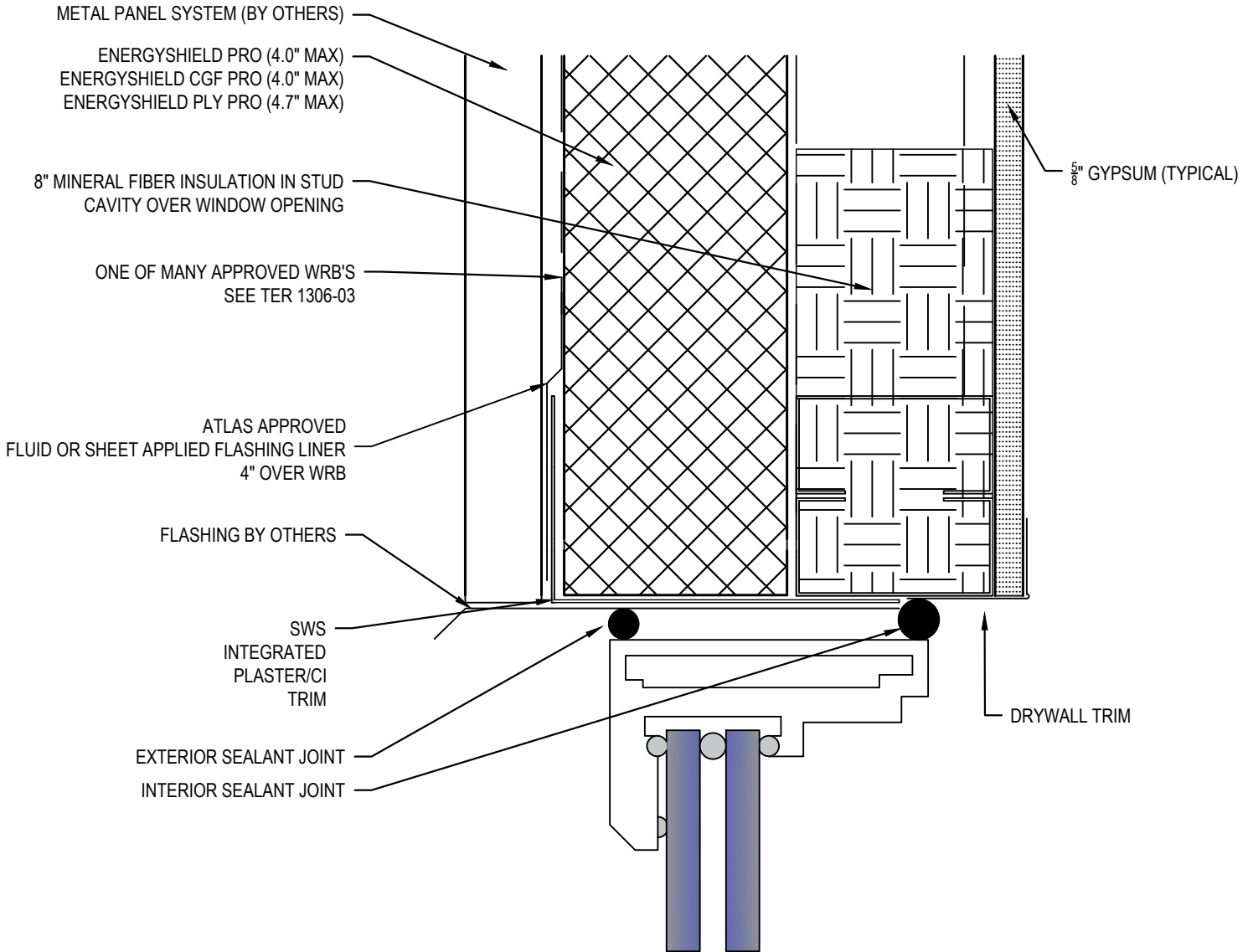
NOT TO SCALE

DETAIL NO.

ES.S.B.09

NFPA 285 DETAIL NOTES:

ALL DETAILS TO BE REVIEWED BY A DESIGN PROFESSIONAL PRIOR TO USE.
 DETAIL IS INTENDED TO PROVIDE NFPA 285 GUIDANCE FOR INSULATION INSTALLATION
 AND WINDOW DETAIL ONLY.
 REFER TO TER 1306-03 FOR A LIST OF ACCEPTABLE NFPA 285 COMPLIANT COMPONENTS.
 FLASH WINDOW & DOOR OPENINGS PER WRB MANUFACTURER'S GUIDELINES.



NOTE: WHEN ACM'S ARE USED, A MAXIMUM 2.25" AIR GAP BEHIND
 CLADDING IS APPROVED.



ENERGYSHIELD PRO WINDOW SMP

HEAD DETAILS

DATE / REVISION

09/20/18

DETAIL NO.

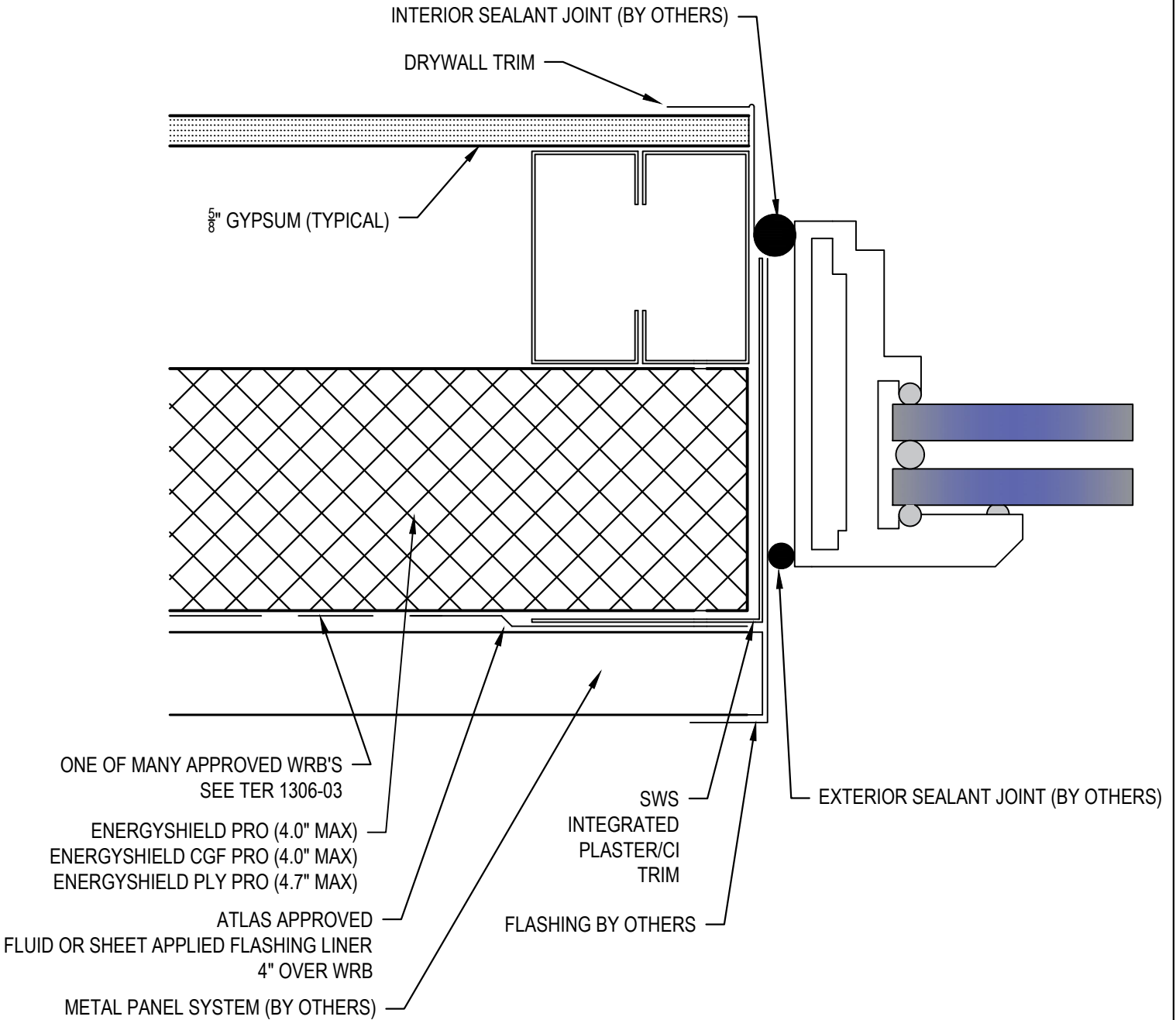
ES.S.B.10

For Reference Only

NOT TO SCALE

NFPA 285 DETAIL NOTES:

ALL DETAILS TO BE REVIEWED BY A DESIGN PROFESSIONAL PRIOR TO USE.
 DETAIL IS INTENDED TO PROVIDE NFPA 285 GUIDANCE FOR INSULATION INSTALLATION
 AND WINDOW DETAIL ONLY.
 REFER TO TER 1306-03 FOR A LIST OF ACCEPTABLE NFPA 285 COMPLIANT COMPONENTS.
 FLASH WINDOW & DOOR OPENINGS PER WRB MANUFACTURER'S GUIDELINES.



NOTE: WHEN ACM'S ARE USED, A MAXIMUM 2.25" AIR GAP BEHIND CLADDING IS APPROVED.



ENERGYSHIELD PRO WINDOW SMP

JAMB DETAILS

For Reference Only

DATE / REVISION

09/20/18

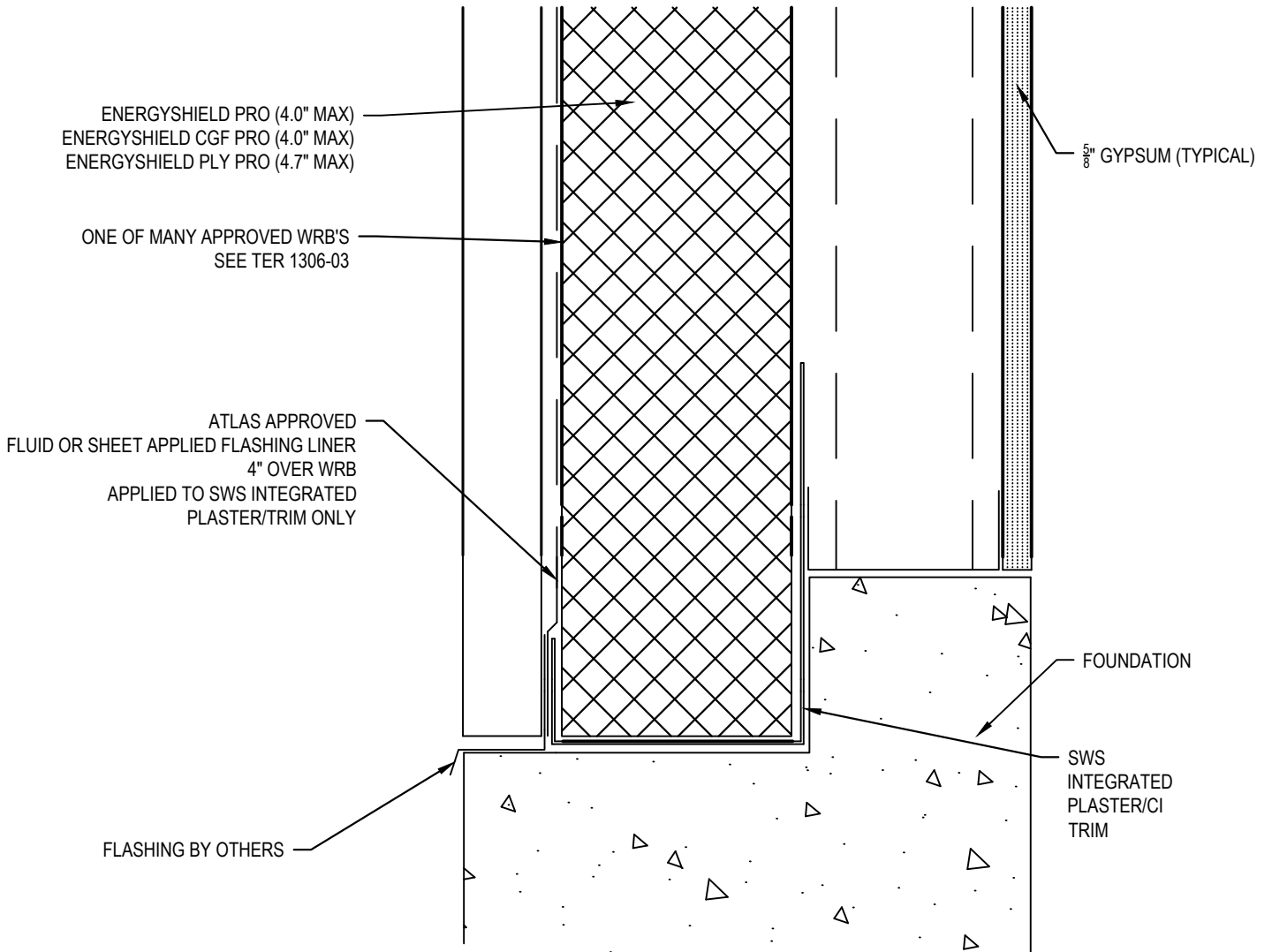
NOT TO SCALE

DETAIL NO.

ES.S.B.11

NFPA 285 DETAIL NOTES:

ALL DETAILS TO BE REVIEWED BY A DESIGN PROFESSIONAL PRIOR TO USE.
 DETAIL IS INTENDED TO PROVIDE NFPA 285 GUIDANCE FOR INSULATION INSTALLATION
 AND WINDOW DETAIL ONLY.
 REFER TO TER 1306-03 FOR A LIST OF ACCEPTABLE NFPA 285 COMPLIANT COMPONENTS.
 FLASH WINDOW & DOOR OPENINGS PER WRB MANUFACTURER'S GUIDELINES.



NOTE: WHEN ACM'S ARE USED, A MAXIMUM 2.25" AIR GAP BEHIND CLADDING IS APPROVED.



ENERGYSHIELD PRO WINDOW SMP

WEEP DETAILS

For Reference Only

DATE / REVISION

09/20/18

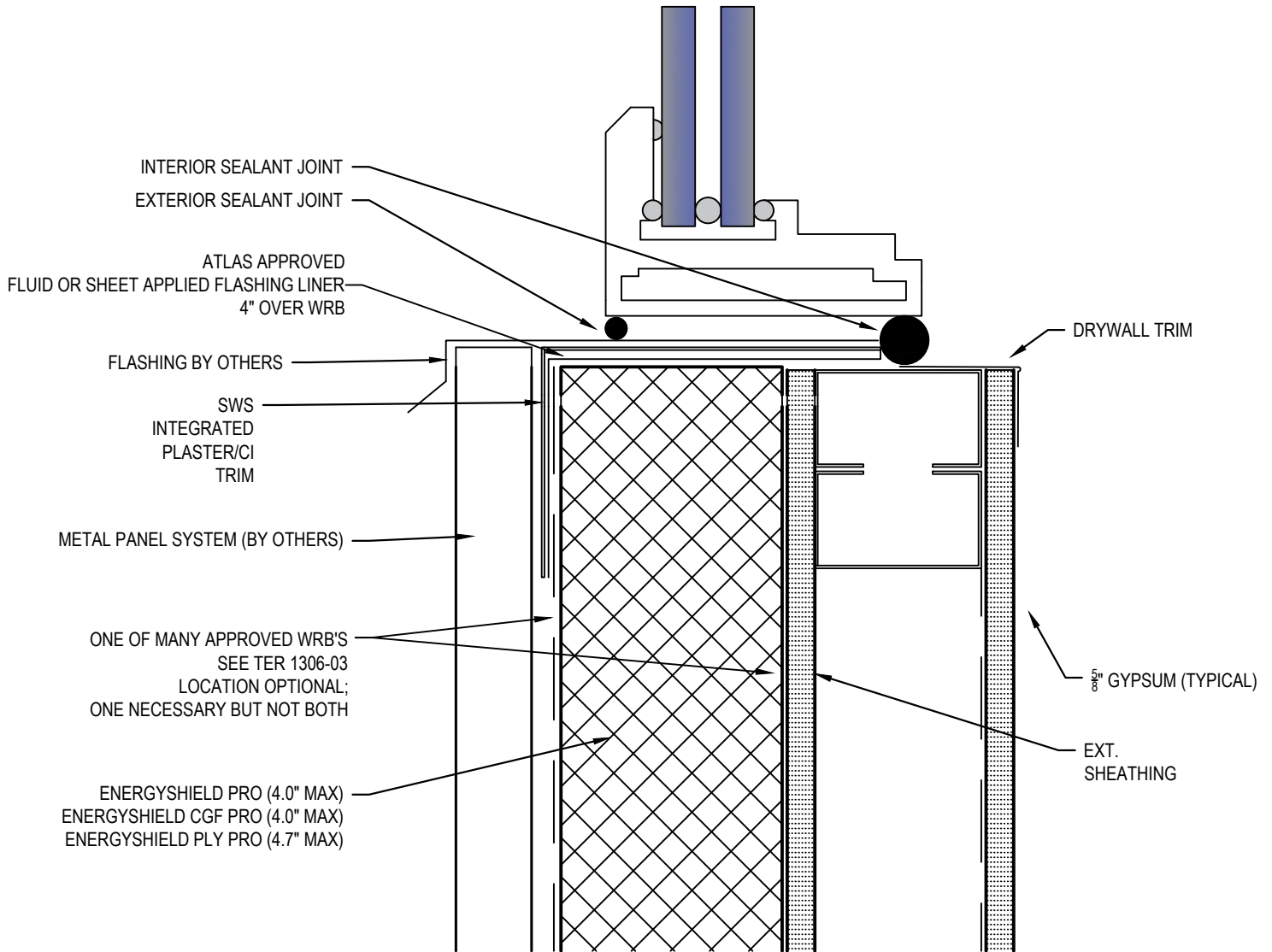
NOT TO SCALE

DETAIL NO.

ES.S.B.12

NFPA 285 DETAIL NOTES:

ALL DETAILS TO BE REVIEWED BY A DESIGN PROFESSIONAL PRIOR TO USE.
 DETAIL IS INTENDED TO PROVIDE NFPA 285 GUIDANCE FOR INSULATION INSTALLATION
 AND WINDOW DETAIL ONLY.
 REFER TO TER 1306-03 FOR A LIST OF ACCEPTABLE NFPA 285 COMPLIANT COMPONENTS.
 FLASH WINDOW & DOOR OPENINGS PER WRB MANUFACTURER'S GUIDELINES.



NOTE: WHEN ACM'S ARE USED, A MAXIMUM 2.25" AIR GAP BEHIND CLADDING IS APPROVED.



ENERGYSHIELD PRO WINDOW SMP

SILL DETAIL GYPSUM

For Reference Only

DATE / REVISION

09/20/18

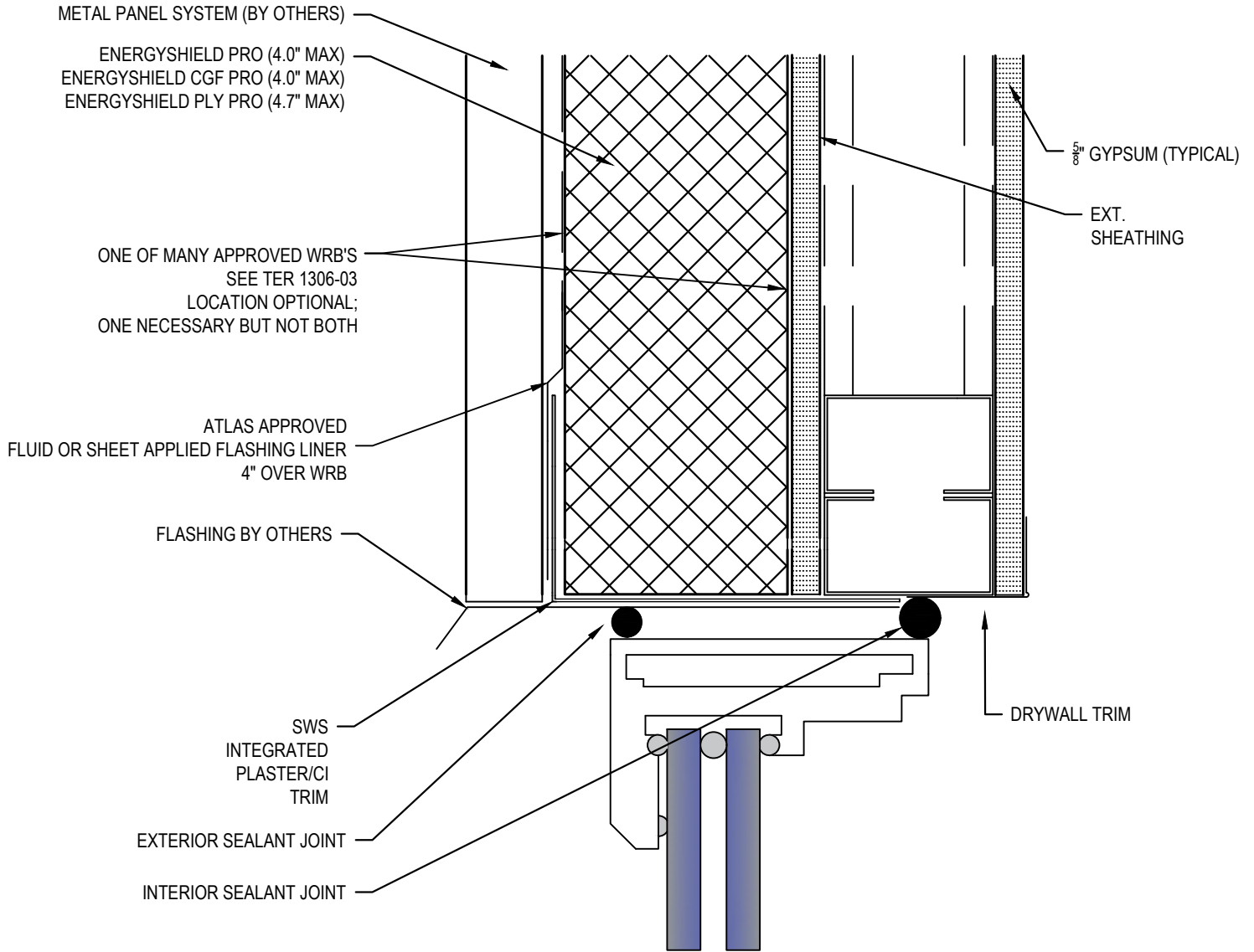
NOT TO SCALE

DETAIL NO.

ES.S.B.13

NFPA 285 DETAIL NOTES:

ALL DETAILS TO BE REVIEWED BY A DESIGN PROFESSIONAL PRIOR TO USE.
 DETAIL IS INTENDED TO PROVIDE NFPA 285 GUIDANCE FOR INSULATION INSTALLATION
 AND WINDOW DETAIL ONLY.
 REFER TO TER 1306-03 FOR A LIST OF ACCEPTABLE NFPA 285 COMPLIANT COMPONENTS.
 FLASH WINDOW & DOOR OPENINGS PER WRB MANUFACTURER'S GUIDELINES.



NOTE: WHEN ACM'S ARE USED, A MAXIMUM 2.25" AIR GAP BEHIND
 CLADDING IS APPROVED.



ENERGYSHIELD PRO WINDOW SMP

HEAD DETAILS GYPSUM

For Reference Only

DATE / REVISION

09/20/18

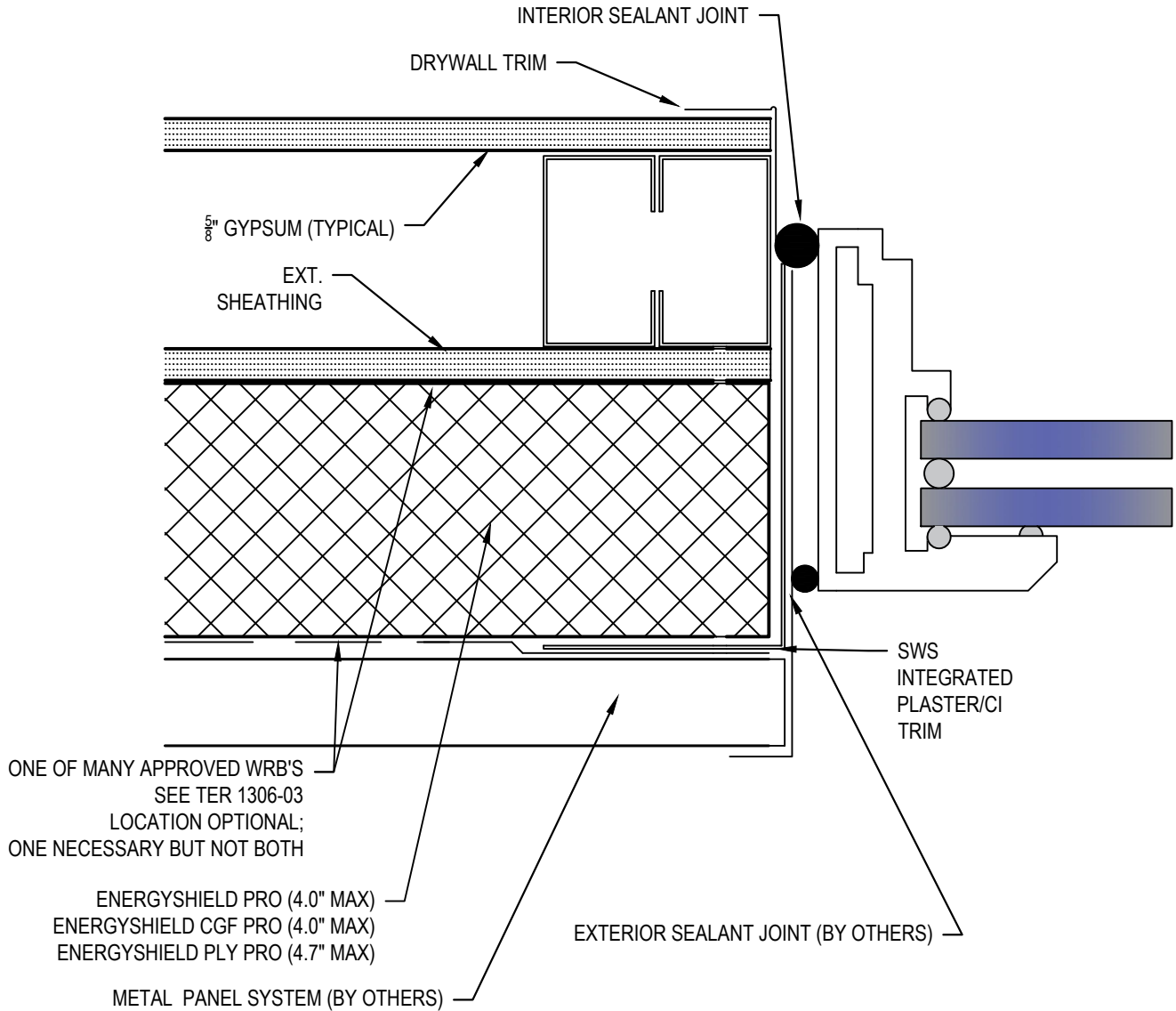
NOT TO SCALE

DETAIL NO.

ES.S.B.14

NFPA 285 DETAIL NOTES:

ALL DETAILS TO BE REVIEWED BY A DESIGN PROFESSIONAL PRIOR TO USE.
 DETAIL IS INTENDED TO PROVIDE NFPA 285 GUIDANCE FOR INSULATION INSTALLATION
 AND WINDOW DETAIL ONLY.
 REFER TO TER 1306-03 FOR A LIST OF ACCEPTABLE NFPA 285 COMPLIANT COMPONENTS.
 FLASH WINDOW & DOOR OPENINGS PER WRB MANUFACTURER'S GUIDELINES.



NOTE: WHEN ACM'S ARE USED, A MAXIMUM 2.25" AIR GAP BEHIND CLADDING IS APPROVED.



ENERGYSHIELD PRO WINDOW SMP

JAMB DETAILS GYPSUM

For Reference Only

DATE / REVISION

09/20/18

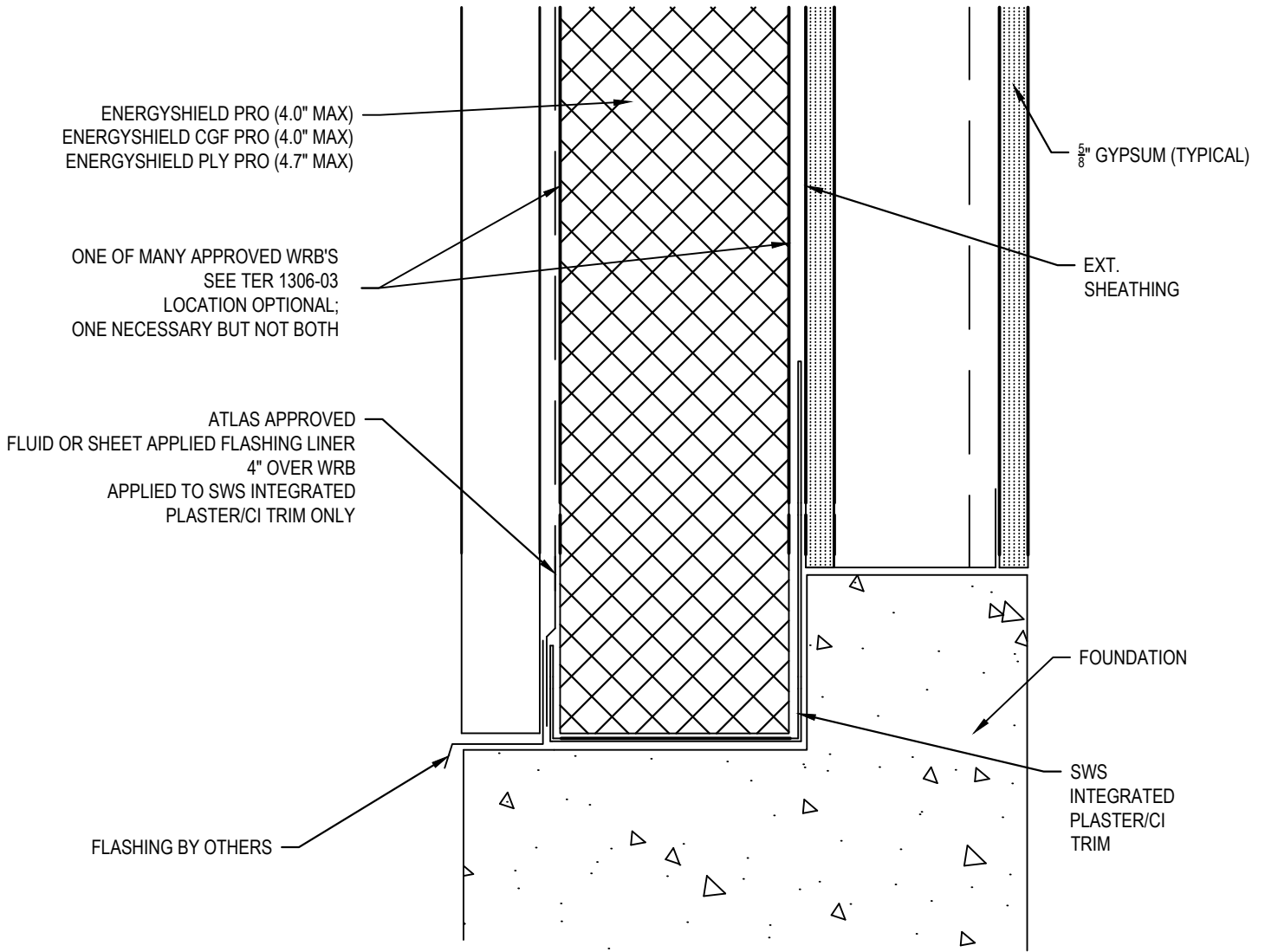
NOT TO SCALE

DETAIL NO.

ES.S.B.15

NFPA 285 DETAIL NOTES:

ALL DETAILS TO BE REVIEWED BY A DESIGN PROFESSIONAL PRIOR TO USE.
 DETAIL IS INTENDED TO PROVIDE NFPA 285 GUIDANCE FOR INSULATION INSTALLATION
 AND WINDOW DETAIL ONLY.
 REFER TO TER 1306-03 FOR A LIST OF ACCEPTABLE NFPA 285 COMPLIANT COMPONENTS.
 FLASH WINDOW & DOOR OPENINGS PER WRB MANUFACTURER'S GUIDELINES.



NOTE: WHEN ACM'S ARE USED, A MAXIMUM 2.25" AIR GAP BEHIND CLADDING IS APPROVED.



ENERGYSHIELD PRO WINDOW SMP

WEEP DETAILS GYPSUM

For Reference Only

DATE / REVISION

09/20/18

NOT TO SCALE

DETAIL NO.

ES.S.B.16